

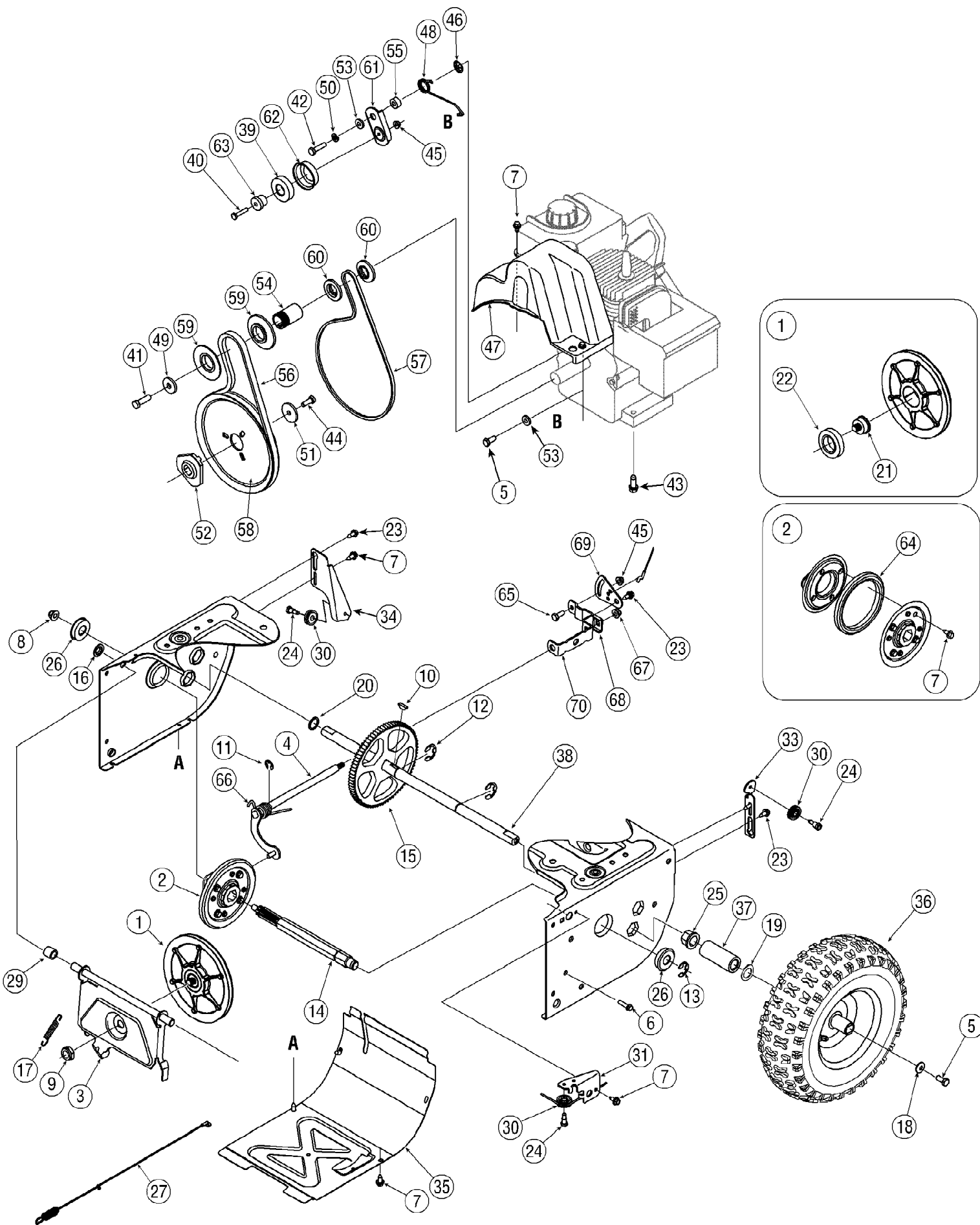
31AH6BHE790 (2006)
Blower Housing Assembly

Page 2 of 11

Ref #	Part Number	Qty	S/P/F	Description
1	731-2635	1		Snow Removal Tool Mount
2	684-04057	1	S	Impeller Assembly, 12" Dia.
3	710-0347	1	/P	Hex Screw, 3/8-16, 1.75, Gr5
4	710-0451	1	/P	Bolt, Carriage, 5/16-18, .750 Gr1
5	710-0604A	1	/P	Screw, 5/16-18, 0.625
6	710-0703	1	/P	Screw, Carriage, 1/4-20, .750, Gr5
7	712-04063	1	/P	Nut, Flange Lock, 5/16-18, Nylon
8	712-04064	1	/P	Nut, Flange Lock, 1/4-20, Nylon
9	712-04065	1	/P	Nut, Flange Lock, 3/8-16, Nylon
10	714-04040	1		Cotter Pin, Bow-tie
11	725-0157	1	/P	Cable, Tie, 3/16 x .05 x 7.4
12	726-04012	1	S	Nut, Push-on, .25 Dia
13	731-04705	1	S	Chute, Adapter 5" Dia
14	732-0611	1	S	Spring, Extension, .38 OD x 3.6
15	736-0174	1	/P	Washer, Wave, .625 x .885 x .015
16	736-0242	1	/P	Washer, Bell, .340 x .872 x .060
17	736-0463	1	S	Washer, Flat, .25 x .630 x .0515
18	731-2643	1	S	Snow Removal Tool
19	738-0143	1	/P	Screw, Shoulder, .498 x .34, 3/8-16
20	738-0281	1	S	Screw, Shoulder, .625 x .17, 3/8-16
21	738-04124A	1	/P	Shear Pin, .25 x 1.50
22	741-0245	1	S	Bearing, Hex Flange x .75 ID
23	741-0309	1	S	Bearing, Ball, .75 ID x 1.85 OD
24	756-0981B	1	S	Flat Pulley, Idler, 2.75 OD
25	790-00075	1		Housing, Bearing, 1.85 ID
26	790-00080A	1	S	Bracket, Auger Idler w/ Brake
27	618-04171	1	S	Gearbox Assembly, Auger, 24"
28	684-04069	1		Housing Assembly, Auger 24"
29	684-04107	1		Spiral Assembly, LH
30	684-04108	1		Spiral Assembly, RH
31	731-04870	1		Spacer, 1.25 OD x .75 ID x 1.00
32	736-0188	1	/P	Washer, Flat, .76 x 1.49 x .06
33	741-0493A	1	/P	Bushing, Flange, .80 ID x .91 OD
34	790-00087A	1		Housing, 1" Hex Bearing
35	790-00120	1		Shave Plate, 2.25 x 23.66
36	790-00091	1		Slide Shoe, Deluxe
37	719-0319	1	S	Housing, Auger, RH Reduced
38	719-0320	1	S	Housing, Auger, LH Reduced
39	721-0179	1	S	Seal, Oil, .750 ID
40	741-0662	1		Bearing, Flange, .75 x 1.0 x .59
41	710-0642	1	/P	Screw, Self-tapping, 1/4-20, 0.750
42	711-04285	1		Axle, Auger, 24"
43	714-0161	1	S	Key, Hi-pro 3/16 x 5/8
44	715-04021	1		Pin, Dowel, .25 OD x 1.2
45	717-04126	1	S	Shaft, Worm .75 OD
46	717-0528A	1	S	Gear, Worm 20T
47	718-04071	1		Collar, Thrust
48	721-0325	1		Plug, 1/4 x .437
49	721-0327	1		Seal, Oil, .75 x 1 x .131
50	736-0351	1	S	Washer, Flat, .760 ID x 1.5 OD
51	736-3084	1	/P	Washer, Flat, .51 x 1.12
52	741-0663	1		Bearing, Flange, .75 x 1.0 x .925
53	741-0661A	1	/P	Bearing, Flange, .75 x 1.00 x .975

31AH6BHE790 (2006)
Blower Housing Assembly

Ref #	Part Number	Qty	S/P/F	Description
54	746-04230	1		Clutch Cable, Auger, 47.23"
55	629-0071	1	S	Extention Cord, 110V
56	710-1260A	1	/P	Screw, 5/16-18, 0.75



31AH6BHE790 (2006)
General Assembly

Page 5 of 11

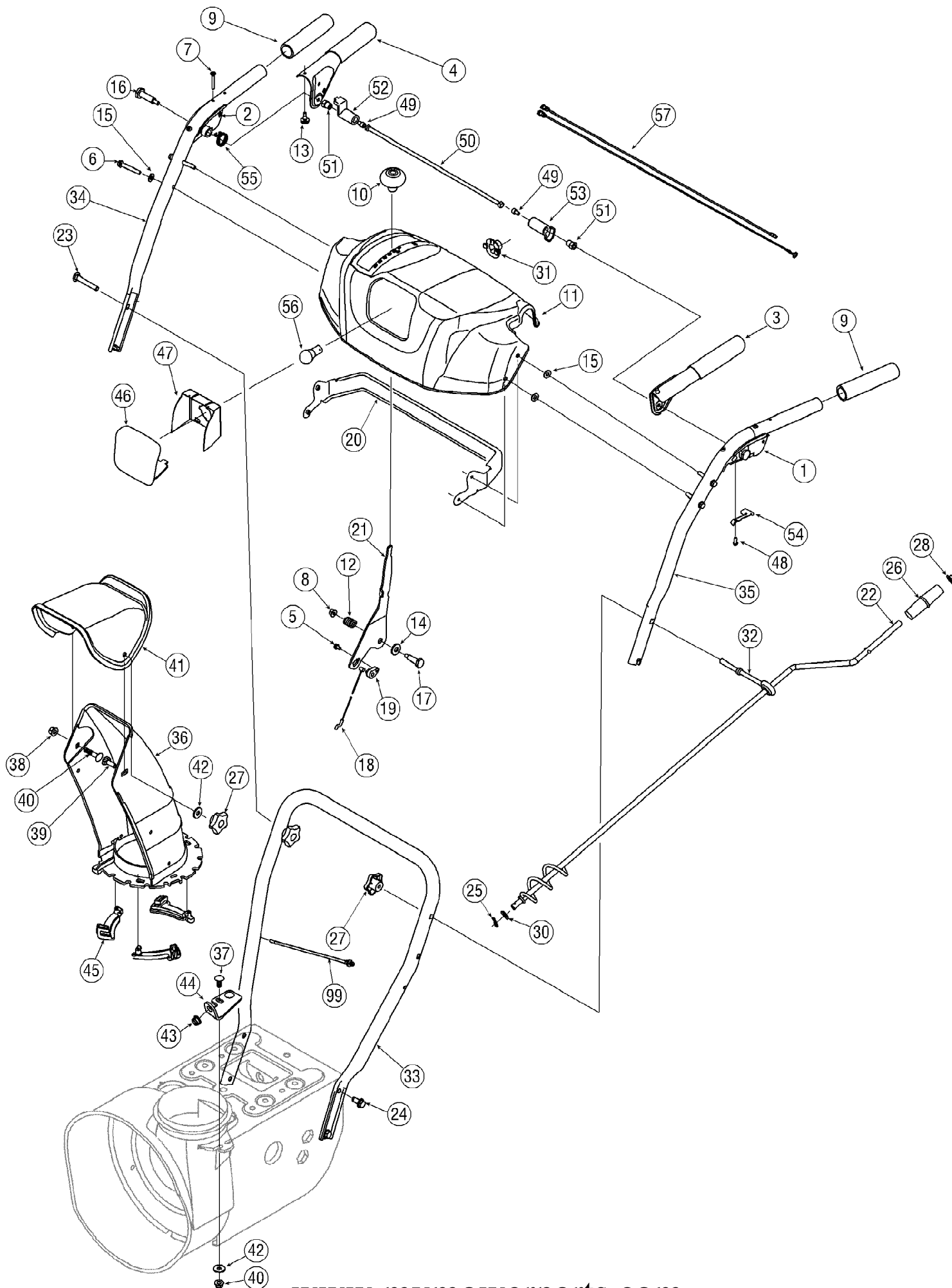
Ref #	Part Number	Qty	S/P/F	Description
1	656-04025A	1	/P	Disc Assembly, Friction Wheel
2	684-04153	1		Friction Wheel Assembly, 5.5 OD
3	684-04154	1	S	Support Bracket, Friction Wheel
4	684-04156	1		Shift Assembly, Rod
5	710-0627	1	/P	Hex Screw, 5/16-24, .750, Gr5
6	710-0788	1	/P	Screw, 1/4-20, 1.000
7	710-0896	1	/P	Screw, 1/4-14 x .625
8	712-04065	1	/P	Nut, Flange Lock, 3/8-16, Nylon
9	712-0413	1	S	Nut, Jam Lock, 5/8-18, Gr5, Nylon
10	714-0126	1	S	Key, Hi Pro, 3/16 x 3/4 Dia.
11	716-0104	1	S	E-ring, .500 Dia.
12	716-0136	1		E-ring, Retaining, .875 Dia.
13	716-0231	1	S	E-ring, .750 Dia.
14	717-04209	1	S	Hex Shaft, .8125, 7-Tooth
15	717-04230	1	S	Gear, 80-Tooth
16	726-0221	1	/P	Speed Nut, .500
17	732-0264	1	S	Extension Spring
18	736-0242	1	/P	Washer, Bell, .340 x .872 x .060
19	736-0287	1	S	Washer, Flat, .793 x 1.24 x .060
20	736-04161	1		Washer, Flat, .75 x 1.00 x .060
21	738-04164A	1		Pin, Friction Disc
22	741-04098	1		Ball Bearing, 30 x 55 x 13
23	738-04184A	1		Screw, Shoulder, .37 x .105, 1/4-20
24	738-0924A	1	/P	Screw, 1/4-28, .375
25	741-0245	1	S	Bearing, Hex Flange x .75 ID
26	741-0563	1	S	Bearing, Ball, 17 x 40 x 12
27	746-04229	1		Clutch Cable, Wheel, 44.95"
28	746-04228	1	S	Cable, Speed Selector
29	748-0190	1	/P	Spacer, .508 ID x .75 OD x .68
30	756-0625	1		Roller, Cable
31	790-00096	1	S	Front Guide Bracket, Auger Cable
32	790-00180	1		Frame
33	790-00206A	1	S	Guide Bracket, Auger Cable
34	790-00207A	1	S	Guide Bracket, Drive Cable
35	790-00226	1		Cover, Frame
36	634-04144A	1	/P	Wheel Size 13 x 4 Wheel Assembly
36	634-04151A	1	S	Rim
36	734-1732	1		Tire
36	734-0255	1	S	Valve
37	731-04873	1		Spacer, 1.25 x .75 x 3.0
38	738-04168	1	S	Axle, .75 x 22"
39	741-0919	1	S	Ball Bearing
40	710-0106	1	/P	Hex Screw, 1/4-20, 1.25, Gr5
41	710-0191	1	/P	Hex Screw, 3/8-24, 1.25, Gr8
42	710-04520	1		Hex Screw, 5/16-24, 1.25, Gr5
43	710-0654A	1	/P	Screw, Sems, 3/8-16, 1.00
44	710-1245B	1	/P	Hex Screw, 5/16-24, .875, Gr8
45	712-04064	1	/P	Nut, Flange Lock, 1/4-20, Nylon
46	726-04012	1	S	Nut, Push-on, .25 Dia.
47	731-04792A	1	/P	Cover, Belt
48	732-04308	1	S	Spring, Torsion, .850 ID x .354
49	736-0247	1	/P	Washer, Flat, .406 x 1.25 x .157
50	736-0119	1	S	Washer, Flat, .3125

31AH6BHE790 (2006)
General Assembly

Page 6 of 11

Ref #	Part Number	Qty	S/P/F	Description
51	736-0505	1		Washer, Flat, .34 x 1.50 x .150
52	748-04053	1	S	Pulley, Adapter, .75 Dia.
53	748-04112	1		Spacer, Shoulder, .317 x .50 x .102
54	750-04303	1		Spacer, .875 ID x 1.185 OD
55	750-04477	1		Spacer, .340 x .750 x .360
56	754-04050	1	S	Belt, Auger Drive
57	754-04088	1		Belt, Wheel Drive
58	756-04109	1		Pulley, Auger Drive, 8.1 x .5
59	756-04113	1		Pulley, Half, V x 2.600 OD
60	756-04179	1	S	Pulley, Half, 1/4-V x 1.5 OD
61	790-00208	1		Idler Bracket, Wheel Drive
62	790-00230	1		Sleeve, Bearing Idler
63	750-04571	1		Spacer, Shoulder, .26 x .79 x .538
64	735-04054	1	S	Rubber, Friction Wheel, 5.5 OD
65	710-0751	1	/P	Hex Screw, 1/4-20, .620, Gr5
66	732-04311	1		Spring, Torsion, .750 ID x .968
67	712-04063	1	/P	Nut, Flange Lock, 5/16-18, Nylon
68	790-00156	1		Bracket, Shift Spacer
69	790-00217A	1	S	Pivot Bracket, Speed Selector
70	790-00218A	1	S	Shift Bracket, Speed Selector

31AH6BHE790 (2006)
Handle Assembly



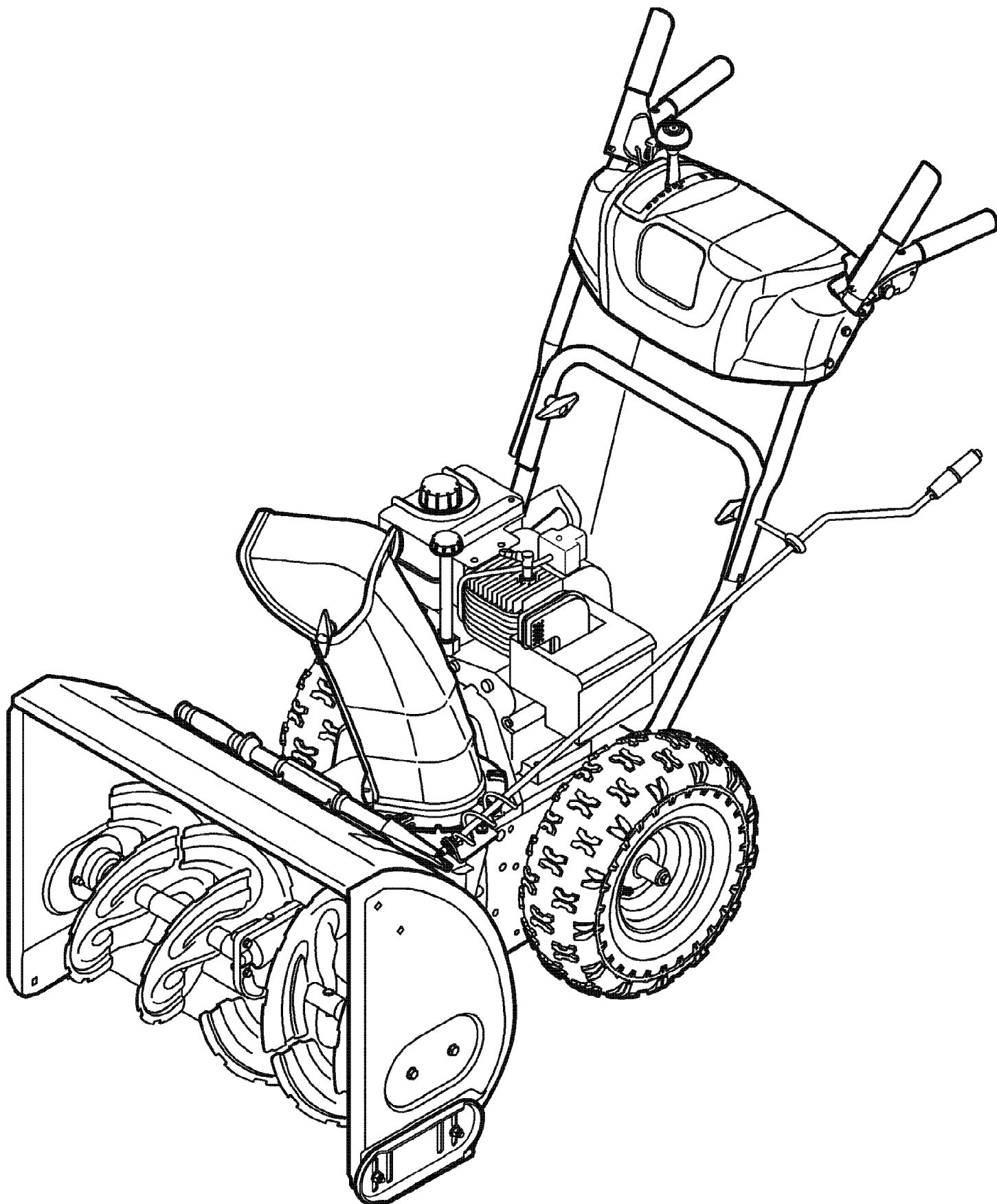
31AH6BHE790 (2006)
Handle Assembly

Page 8 of 11

Ref #	Part Number	Qty	S/P/F	Description
1	631-04133	1	S	Handle Assembly, Lock, LH
2	631-04134A	1	/P	Handle Assembly, Lock, RH
3	684-04105A	1	S	Handle Ass'y, Engagement LH
4	684-04106A	1	S	Handle Ass'y, Engagement, RH
5	710-0224	1	S	Screw, #10-16, 0.500
6	710-1026	1	/P	Screw, 1/4-20, 1.750
7	710-1233	1	/P	Screw, Machine, #10-24, 1.375
8	712-04064	1	/P	Nut, Flange Lock, 1/4-20, Nylon
9	720-0274	1	/P	Grip, 1.0 ID x 5.0
10	720-04039	1		Knob, Shift
11	731-05298	1	S	Handle Panel, H-Style
12	732-0193	1	/P	Spring, .39 x .60 x .88
13	735-0199A	1	S	Bumper, Rubber, .62 OD x .22
14	736-0262	1	/P	Washer, Flat, .385 x .870 x .092
15	736-0463	1	S	Washer, Flat, .25 x .630 x .0515
16	738-04122	1	S	Screw, Shoulder, .43 x 1.34, 1/4-20
17	738-04125	1		Screw, Shoulder, .374 Dia. x 1.05
18	746-04227	1	S	Cable, Speed Selector
19	746-0605	1	S	Barrel Holder, Cable, LH
20	790-00140	1	S	Bracket, Panel
21	790-00203	1	S	Lever, Shift
22	684-04104	1	S	Crank Assembly, Chute
23	710-0449	1	S	Screw, Carriage, 5/16-18, 2.25
24	710-1260A	1	/P	Screw, 5/16-18, 0.75, Gr5
25	714-0104	1	S	Pin, Cotter, .072 x 1.13
26	720-0201A	1	/P	Crank Knob, 1.0 Dia. x 3.2, Black
27	720-0284	1	S	Knob Assembly, Wing Nut, 5/16-18
28	726-0100	1	S	Cap, Push, 3/8 Rod
29	735-0234	1		Grommet, .44 ID x .94 OD x .50
30	736-0185	1	S	Washer, Flat, .375 x .738 x .063
31	725-1649	1	S	Light Socket
32	747-04263	1		Eye Bolt, Chute Crank
33	749-04138	1	S	Handle, Lower
34	749-04141	1		Handle, Upper, RH
35	749-04142	1		Handle, Upper, LH
36	731-04912A	1	S	Chute, Lower, 5.0 Diameter
37	710-0276	1	/P	Bolt, Carriage, 5/16-18, 1.0
38	712-04063	1	/P	Nut, Flange Lock, 5/16-18, Nylon
39	710-04071	1		Bolt, Carriage, 5/16-18, 1.0
40	710-0451	1	/P	Bolt, Carriage, 5/16-18, .750
41	731-04426A	1	/P	Chute, Upper, w/ Label
42	736-0159	1	S	Washer.349 ID x .879 OD x .063
43	741-0475	1	S	Bushing, Plastic, .380
44	784-5647	1	S	Bracket, Chute Crank
45	731-04869	1	S	Flange Keeper, Chute
46	731-05320	1		Lens
47	777X41803	1		Reflector Label, Lens
48	710-04326	1		Screw, #8-16 x 0.50
49	710-04354	1	/P	Screw, 1/4-20 x.375
50	711-04287	1	S	Pivot Rod
51	712-04081A	1		Shoulder Nut, 1/4-20
52	731-04894A	1	S	Lock Plate
53	731-04896A	1	S	Shoulder Lock Cam

31AH6BHE790 (2006)
Handle Assembly

Ref #	Part Number	Qty	S/P/F	Description
54	732-04219	1	S	Clutch Lock Spring
55	732-04238	1		Torsion Spring
56	725-04213	1	S	Lamp
57	725-04214	1		Wire Harness



31AH6BHE790 (2006)
Quick Reference

Page 11 of 11

Ref #	Part Number	Qty	S/P/F	Description
	759-3338	1	/P	Spark Plug RJ19LM
	N/A	1		Key
	629-0071	1	S	Extension Cord
	731-2643	1	S	Snow Removal Tool
	790-00120	1		Shave Plate
	790-00091	1		Slide Shoes
	738-04124A	1	/P	Shear Pin
	714-04040	1		Bow Tie Cotter Pin
	725-04213	1	S	Lamp
	754-04050	1	S	Auger Drive Belt
	754-04088	1		Wheel Drive Belt
	684-04107	1		Spiral Assembly - LH
	684-04108	1		Spiral Assembly - RH
	N/A	1		Rubber Paddle
	656-04025A	1	/P	Friction Wheel Assembly
	684-04153	1		Friction Wheel Disc
	735-04054	1	S	Friction Wheel Rubber
	634-04144A	1	/P	Wheels
	684-04057	1	S	Impellar Assembly
	746-04230	1		Auger Clutch Cable